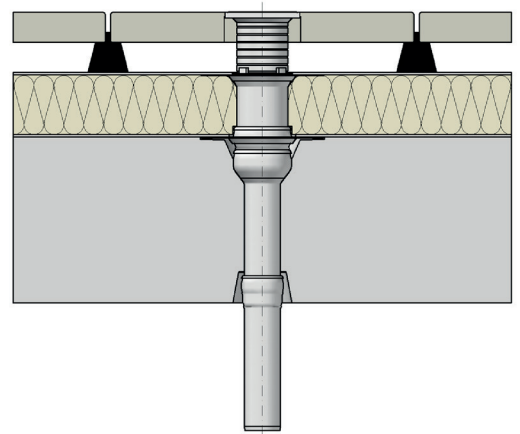


**Specification Sheet LX 1223**

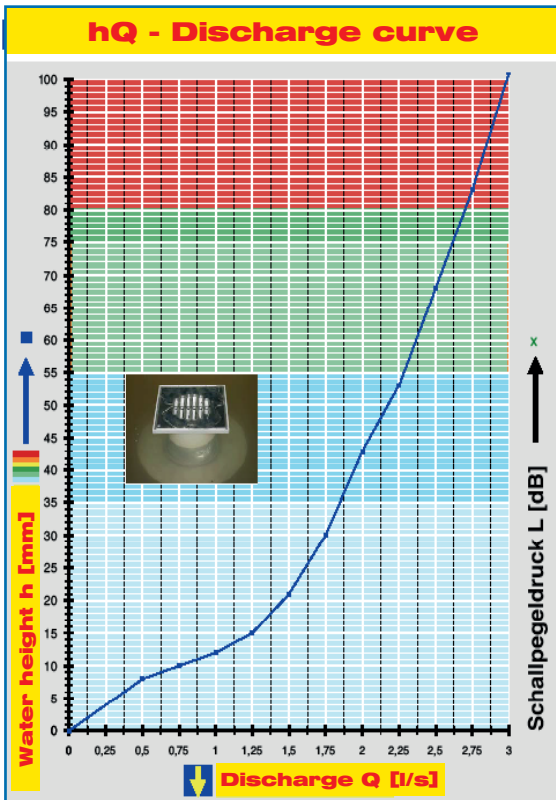
**Balcony Drainage  
Balcony Drain Series V-FL**

<b>Main drainage</b>	
<b>Gravity flow</b>	
<b>Silent</b>	
<b>Discharge:</b>	<b>1.8 l/s</b>
<b>Water height:</b>	<b>35 mm</b>
<b>Roof penetration:</b>	<b>-</b>
<b>Diameter:</b>	<b>DN 70</b>
<b>LX-Number:</b>	<b>LX 1223</b>
<b>Weir height:</b>	<b>0 mm</b>
<b>Drain:</b>	<b>ventilated</b>
<b>Downpipe:</b>	<b>not ventilated</b>
<b>Downpipe height:</b>	<b>2.75 m</b>
<b>Drainage:</b>	<b>into ground pipe</b>

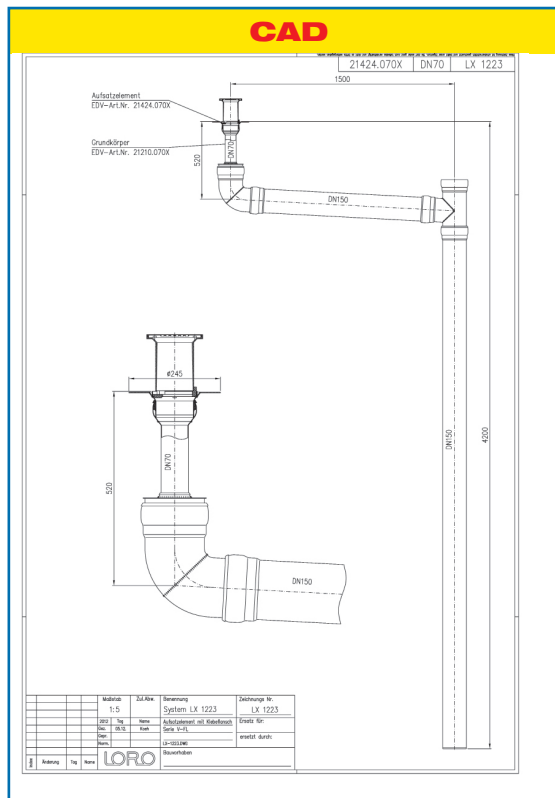


**LX 1223 Piece list**

Please choose set up elements and extension cartridge on page 2!



**System power**

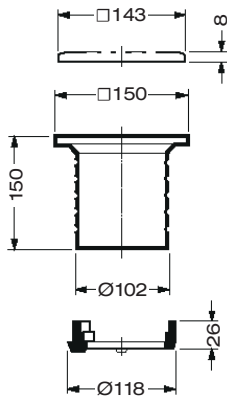


**System shape**

<b>Water height</b>	mm	10	15	20	25	30	<b>35</b>	40	45	50	55	60	65	70	75
<b>Discharge</b>	l/s	0,75	1,25	1,45	1,60	1,75	<b>1,80</b>	1,90	2,05	2,15	2,30	2,30	2,45	2,55	2,65
							<b>Silent</b>								

**Please choose suitable set up elements and extension unit!**

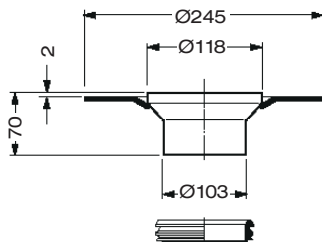
**DN 70**



#### Strainer unit

consisting of: strainer quadratic, **without** pipe penetration, strainer support 150 mm x 150 mm, height-adjustable, drainage ring

Art.-No. 20424.070X  
Weight: 0.44 kg



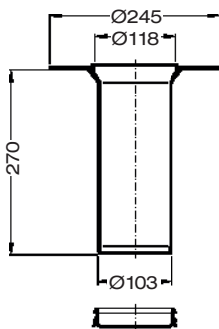
#### one-piece version

##### LX1223-12X

#### Set up element, Series V-FL

with bonding flange, for sealing with liquid plastic, made of stainless steel

Drain Art.-No. 20420.070X  
Weight: 1.05 kg



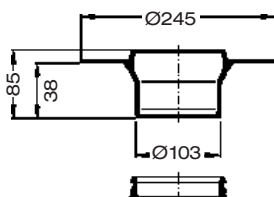
#### two-piece version

##### LX1223-13X

#### Extension unit

for thermally insulated balconies, **Series V-FL** with bonding flange, for sealing with liquid plastic, consisting of: extension unit with bonding flange, sealing element DN 100

Art.-No. 20425.070X  
Weight: 1.8 kg



#### Set up element with socket

for thermally insulated balconies, **Series V-FL** with bonding flange, for sealing with liquid plastic

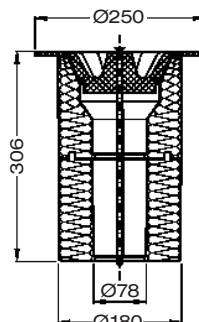
Art.-No. 20426.070X  
Weight: 1.0 kg

#### Base unit

Art.-No. 21400.070X  
consisting of:



- 1 **Formwork mushroom**  
Art.-No. 18110.070X
- 2 **Base body**  
Art.-No. 21210.070X
- 3 **Formwork dome**  
Art.-No. 18100.070X



#### Thermal insulation base unit

consisting of: formwork mushroom, thermal insulation body and fastening screw

Art.-No. 21401.070X  
Weight: 0.7 kg

Attention:

The base body 21210.070X has to be ordered separately!